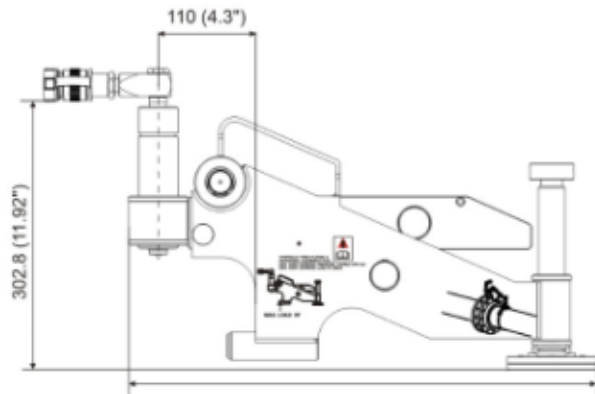


## Specifications

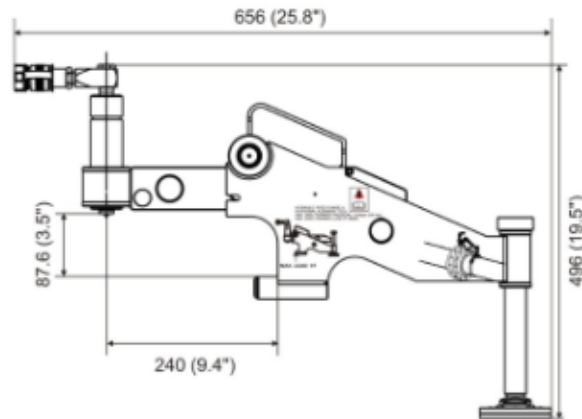
- Max Bolt Size: 16-31.5mm
- Cap: 1-9ton (10-90kN)
- Max Working Pressure: 700bar
- Suitable for offshore and onshore application
- Designed for large diameter high-pressure flanges
- Rectifies linear or rotational misalignment



Minimum extension FA9TE/9TM in mm (inch)



Maximum extension FA9TE/9TM in mm (inch)



Model	Capacity (Ton/kN)	Operation Type	Min Bolt Size (in/mm)	Flange Thickness (in/mm)	Reaction Force 2 Max (Ton)	Bolt Hole Diameter Min (mm)	Misalignment Min (mm)	N.W (kg)
FA1TM	1/10	Mechanical	0.63/16	0.55-3.29/14-82	1	16	0	3
FA4TM	4/40	Mechanical	0.95/24	1.18-5.23/30-133	4	25	0	9
FA9TM	9/90	Mechanical	1.24/31.5	3.66-9.00/93-228	9	35.5	0	16
FA9TE	9/90	Hydraulic	1.24/31.5	3.66-9.00/93-228	9	35.5	0	16